

TIP 1

Mast Rake:

For a correct measurement, be sure the main sheet line is in the right position
 1) pull the line all the way to the top of the mast.

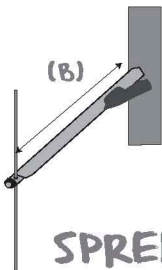
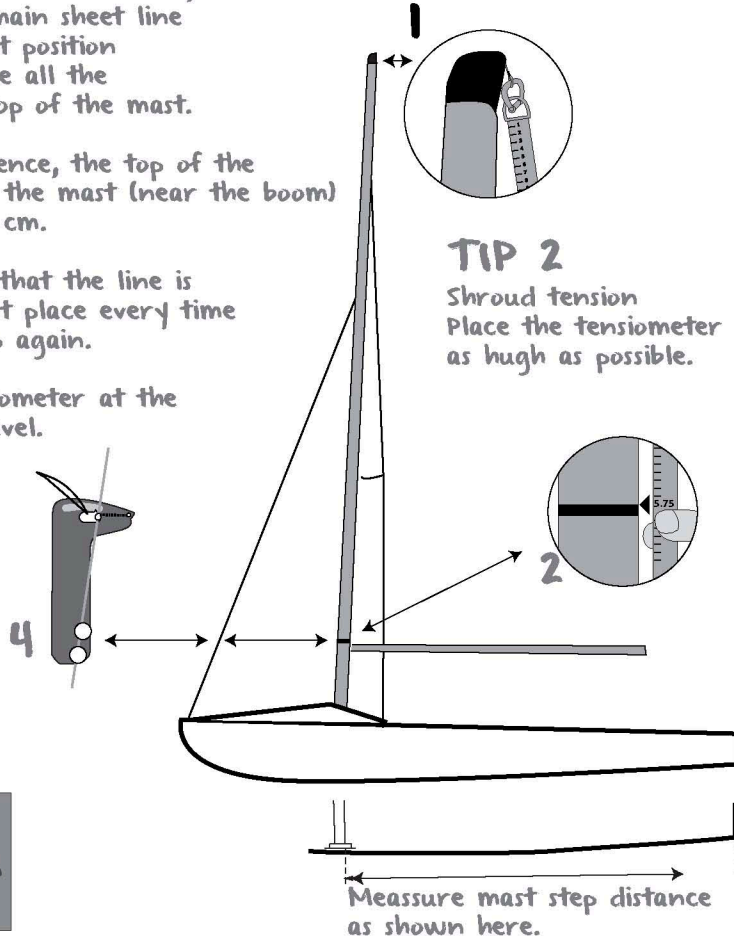
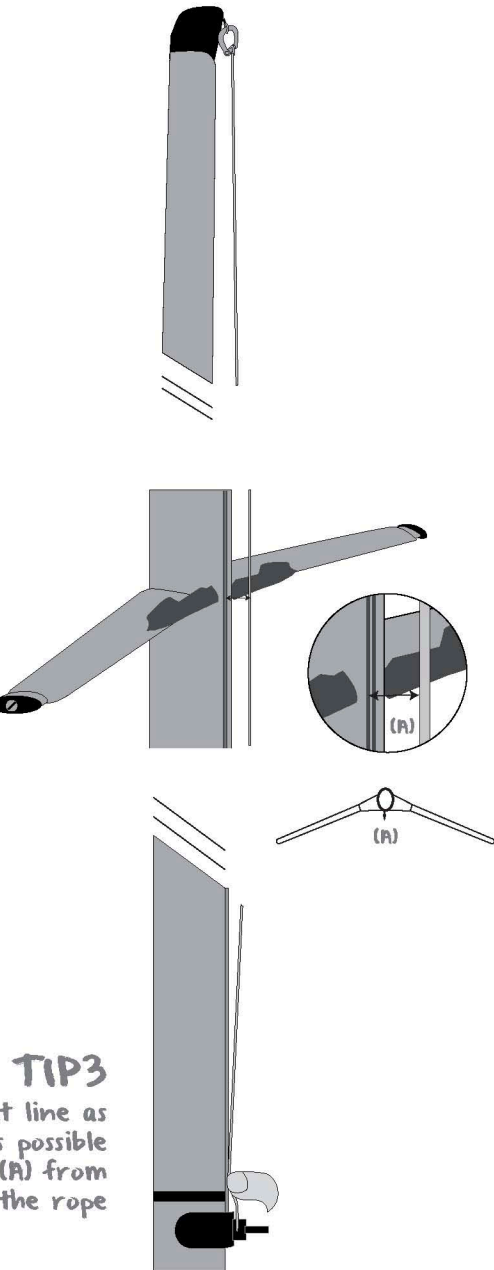
2) As a reference, the top of the black line on the mast (near the boom) must be 5.75 cm.

3) Check out that the line is at the correct place every time you pull it up again.

4) Place tensiometer at the black mark level.

TIP 2

Shroud tension
 Place the tensiometer as high as possible.



SPREADERS LENGTH
 From shroud center to mast. (B)

TIP3
 Hold mainsheet line as tight as possible
 Measure prebend in (A) from mast to inner side of the rope

Settings	0-8 kn	9-11 kn	12-14 kn	15-18 kn	19-22 kn	>22 kn
Rake	6.75m	6.71m	6.67m	6.64m	6.60m	6.56m
Prebend	80mm	72mm	75mm	88mm	95mm	104mm
Tension	25/26	25/26	26	25/26	26	25
Mast step	0	0	1	1	1	1
Chocks	-2/0	0/+1	+1	+1/0	0	0
Spreraders leng	475mm	475mm	475mm	475mm	475mm	475mm

- NOTES**
- Tension: Use Loose PT-1 - 3mm dyform cable.
 - Mast step 0 position: 308cm from the stern until the back pin to the mast
 - Spreader rounds + open, - close